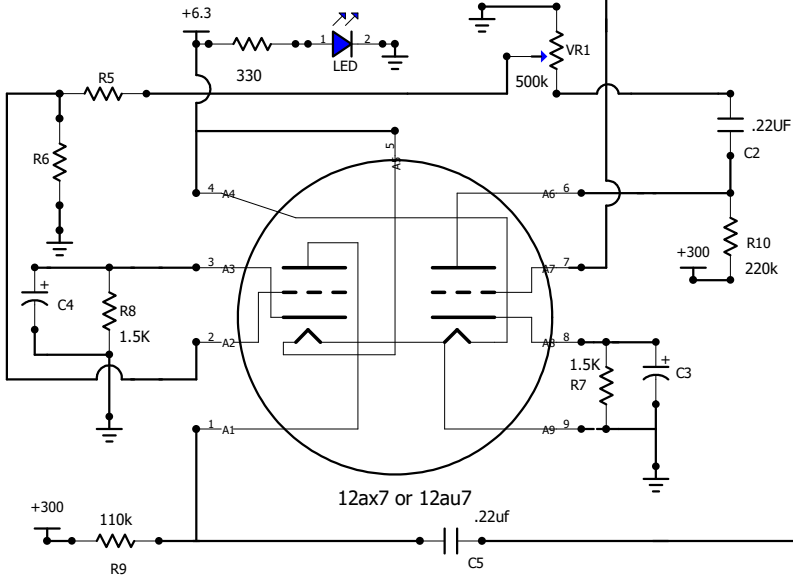


INPUT TYPE	R1	R2	R3	R4	R5	R6	C3	C4
5vpp 12ax7	1M	470K	22K	10K	22k	27k	47uf	.047uf
5vpp 12au7	1M	470K	short	27K	4.7k	68k	220uf	.047uf

Preferred



12ax7 or 12au7

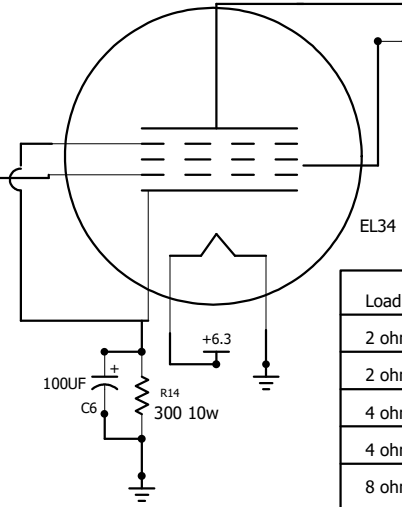
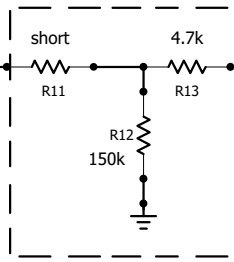


PLATE  
GRID  
B+  
Variable +B

TO AUDIO OUTPUT TRANSFORMER.  
SUCH AS EDCOR CXSE25-8-5K

350v-450v  
R14 - 300ohm 10w  
Ropt1 - 1k 5w

Load	Transformer	Ropt1	Ropt2
2 ohm	EL34 CXSE15-4-10k	1k @ 5w	open
2 ohm	KT120 CXSE25-4-5k	1k @ 5w	Open
4 ohm	EL34 CXSE15-4-5k	1k @ 5w	open
4 ohm	KT120 CXSE25-4-2.5k	1k @ 5w	open
8 ohm	EL34 CXSE15-8-5k	1k @ 5w	open

Obtain permission before  
redistributing this document.

**SE Ultra Linear Mono Block**

DOC. NO. \_\_\_\_\_ REV. 9-1-19

CREATED	
AUTHOR	
APPROVED BY	
CHECKED BY	

(c) 2015 PJJ Electronics

PAGE 1 OF 2
-------------